

PRESENTATION

SKYVIEW PLUS

SkyView Plus



Your store deserves a Plus!!!

Overview

- Product at a glance
- Highlights
- Product range
- Availability

internal use only

OVERVIEW

Product at a glance

Skyview Plus is now available in two versions :

Advance execution

First in class cabinet :

- *Frameless doors*
- *Antibacterial handle*
- *High flux lighting*
- *Stainless steel bumper*
- *Customizable aesthetic*



Value execution

*Just what you need,
nothing more :*

- *Same performance*
- *Same loading volume*
- *All purpose aesthetic*

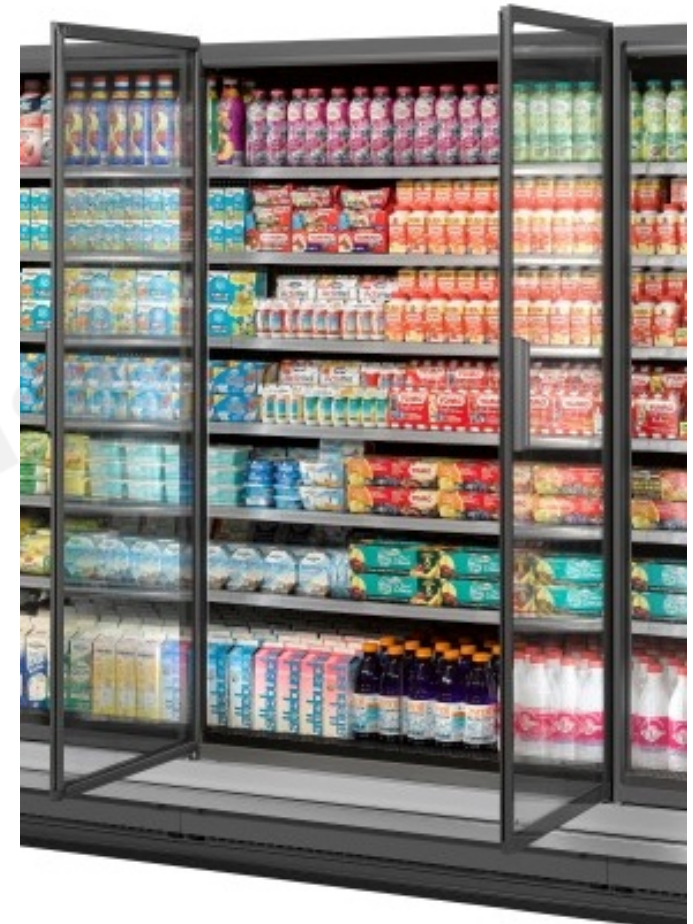


OVERVIEW

Highlights

So many reasons to buy SkyView Plus

- **More merchandising** for the **same price**
- **Less energy consumption** thanks to new Bonnet Névé **Epta Dual Airflow**
- **Better product visibility** with Bonnet Névé **frameless doors**
- **Outstanding High Flux LED** lighting **exclusive** for SkyView Plus cabinets
- **Family Feeling** as the rest of the **SKYEFFECT** range for a **revolution of the shopping experience**
- **Reduction of total cost of ownership** with **optimized materials, smart design** and **user friendly** features



Back to Main Menu

OVERVIEW

Product range

Skyview Plus is Available in

2 **Heights** : H20 (2110 mm) & H22 (2260 mm)

3 **Widths** : Efficia (E), Modular (M) and Volum (V)

4 **Lengths** : 125, 188, 250 and 375 linears

5 **Open EOL** : 133 (M), 151 (E), 181 (M&V), 196 (M&V) and 232 (M&V)

2 **Closed EOL** : 133 (M), 196 (M&V)

Temperature class : 3H, 3M2, 3M1*, 3M0*

LED lighting : canopy, mullion, shelves

Fluids : CO₂ (45 bar, 45 bar pumped, 60 bar), R134a, R404a, R407a, R407c, R407f, R410a, R422d, R448a, R449a, Coolant

Controllers : AF energy, Carel, Danfoss, Dixell, Eliwell, Montouliou, Wurm,

Doors : Standard, Antireflective, Frameless

Ticket holder position : Shelves, Chest, Front

Ticket holder type : Universal rail, Slimline rail, Freeline rail,

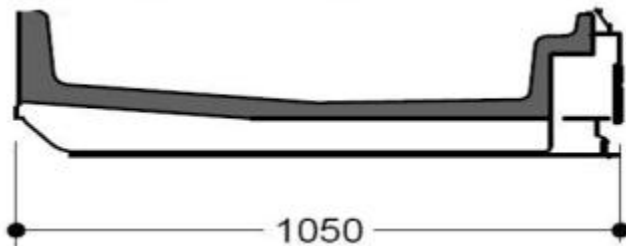
Paper (25, 30, 40, 52mm), Electronic (Pricer, Altierre, Samsung)

* With electric defrost



Back to Main Menu

Three chest depths adapted to your store conditions

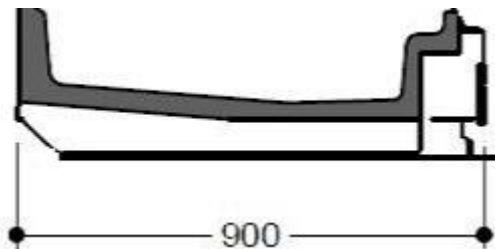


VOLUM (1050 mm)

- Maximum storage volum
- Made for hypermarkerts and Hard discount

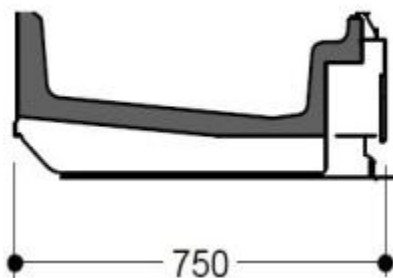
MODULAR (900 mm)

- Bonnet Névé best seller
- Flexible solution for all kind of store



EFFICIA (750 mm)

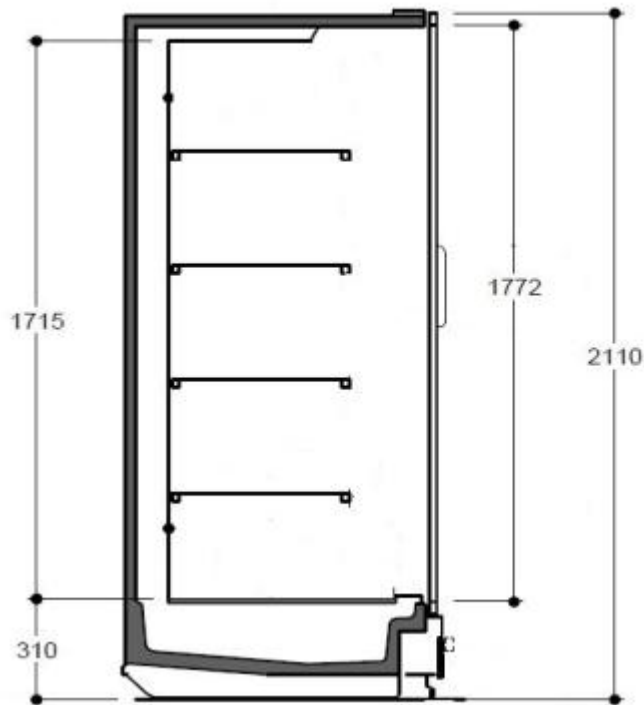
- Ideal solution for small and convinience store
- Reduced footprint
- Give more space on your aisles



OVERVIEW

Product range

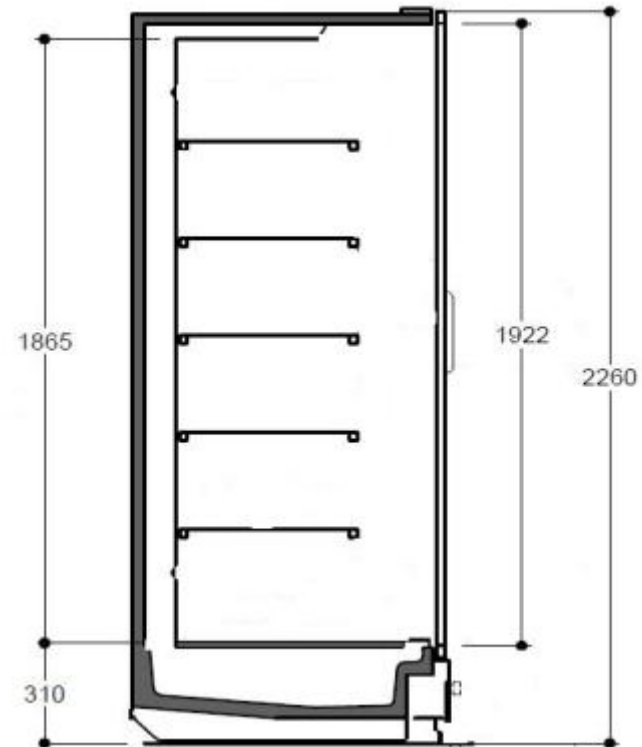
Two heights depending on your market needs



H20 (2110 mm)

- Optimized for easy loading
- Up to 7 shelves rows
- Full loading capacity (no loading line)

Marketing 04/2017



H22 (2260 mm)

- Bigger volume
- Up to 8 shelves rows
- Full loading capacity (no loading line)



Back to Main Menu

OVERVIEW

Availability

Ordering : week 44 2016

First release : week 03 2017

For internal use only





www.bonnetneve.com



Bonnet Névé S.A. participates in the ECC programme for Refrigerated display cabinets (RDC). Check ongoing validity of certificate online: www.eurovent-certification.com or using: www.certifiah.com



www.eptarefrigeration.com