



Shape Hot Table

PRODUCT OVERVIEW



Display hot food in an appetising manner!



Shape Hot Table

PRODUCT OVERVIEW



The **Shape** range offers a vast choice of models to display any type of fresh food, emphasising its presentation. The current life-style increasingly necessitates the search for ready-made gastronomic products.

Shape in the **Hot Table** version answers this growing need, by offering high preservation of products and display versatility to satisfy the requests of an increasingly demanding and discerning customer.



Shape Hot Table

PRODUCT OVERVIEW



Overview

Product range

**Shape M
Hot Table
is available in:**

Serve-over

1 Depth:

Modular (M)

3 Lengths:

1250 – 1875 – 2500

Aesthetics: Design,
Design Evolution,
Style (base and
feet), Studio

Set-ups:
gastronorm basins,
trays, stainless steel
tops

Superstructures:
straight glass LD (tiltable
upwards), DD
(tiltable downwards), WO
(hinged) and curved glass LC
(tiltable upwards).

Lighting:
superstructure
and base

Controllers:

Eliwell IC901



Shape Hot Table

PRODUCT OVERVIEW



Display versatility

The display transformation from one configuration to the other is easily done by the operator of the gastronomy department without the use of tools.



Gastronorm basins in stainless steel:
100mm and 150mm (H)

Trays in stainless steel: 20mm (H)



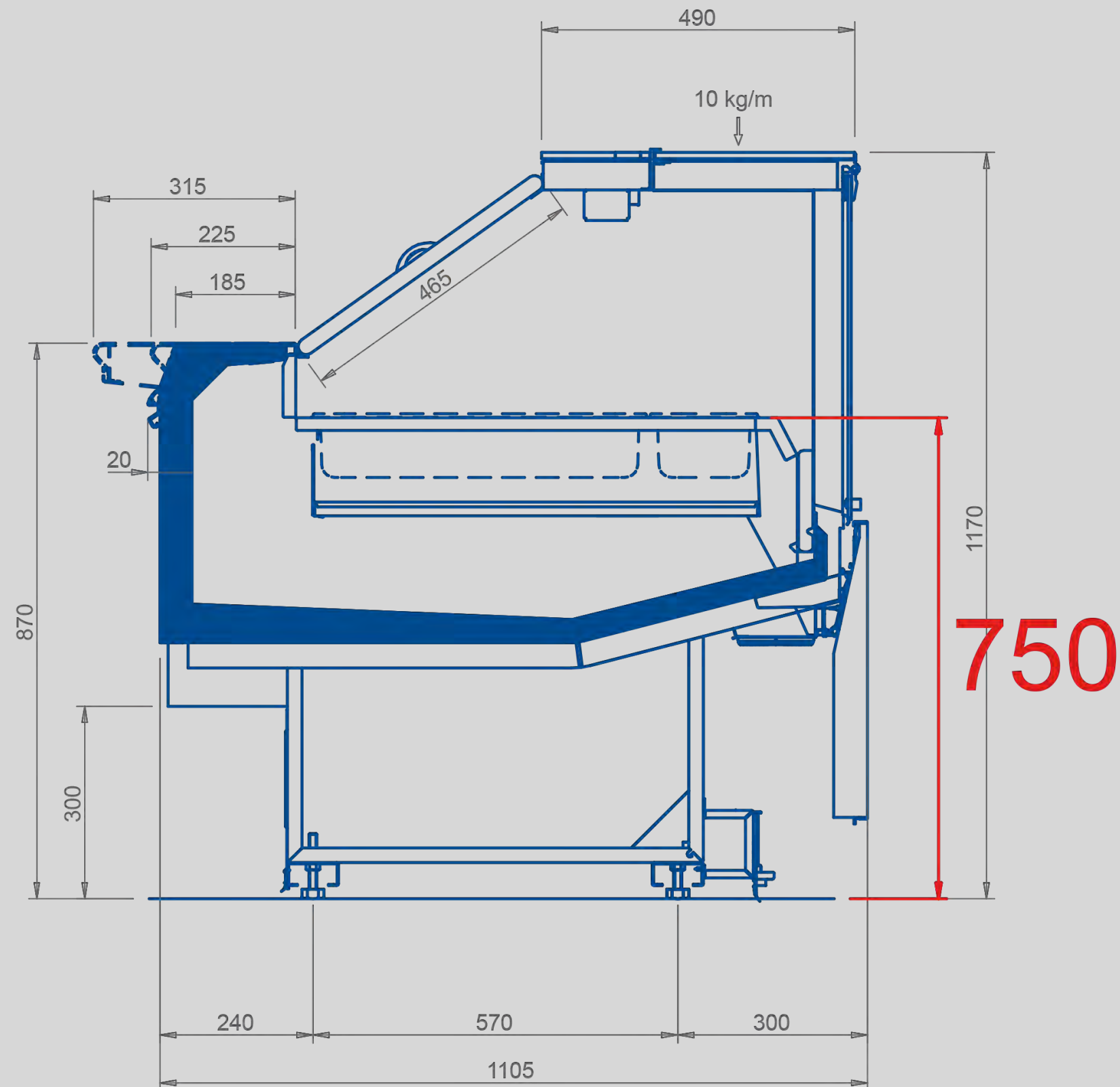
Display deck in stainless steel



Shape
Hot Table

PRODUCT OVERVIEW

Merchandising



Raised display set-ups

For improved presentation of the products on display, the set-ups with gastronorm basins, trays and stainless steel decks are placed

750mm from the ground.



Shape Hot Table

PRODUCT OVERVIEW





www.bonnetneve.com



A large, light gray, semi-transparent version of the Bonnet Névé logo, including the circular icon and the text "Bonnet Névé".
**Bonnet
Névé**



Epta S.p.A. participates in the ECC programme for: Refrigerated display cabinets (RDC).
Check ongoing validity of certificate online:
www.eurovent-certification.com
or using www.certiflash.com