

PRESENTATION

COSMOS ECO DUAL

COSMOS ECO DUAL



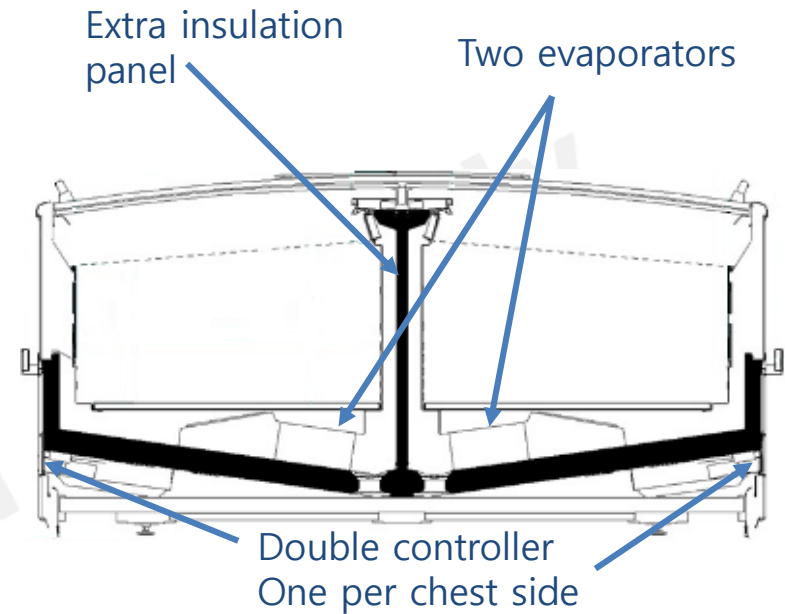
Improved performance and refreshed aesthetics

COSMOS ECO DUAL

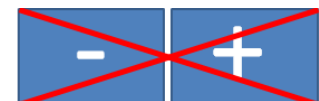
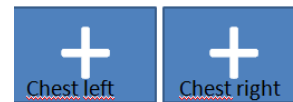
Dual technology

Dual evaporator architecture is the new main asset of Cosmos Eco Dual. This new characteristic feature gives as **benefits** for our customers :

- Third party certified **3L1 performance @ -34°C** saturated suction temperature or **3M1 @ -6.5°C**
- **Double controller** cooling circuit
- **60% on defrost time saving** reducing significantly chest total energy consumption
- **Simplified island maintenance.** Each chest can be stopped independently



OR and ONLY



OR



Application temperature set from factory.
Not reversible version

COSMOS ECO DUAL

Main advantages

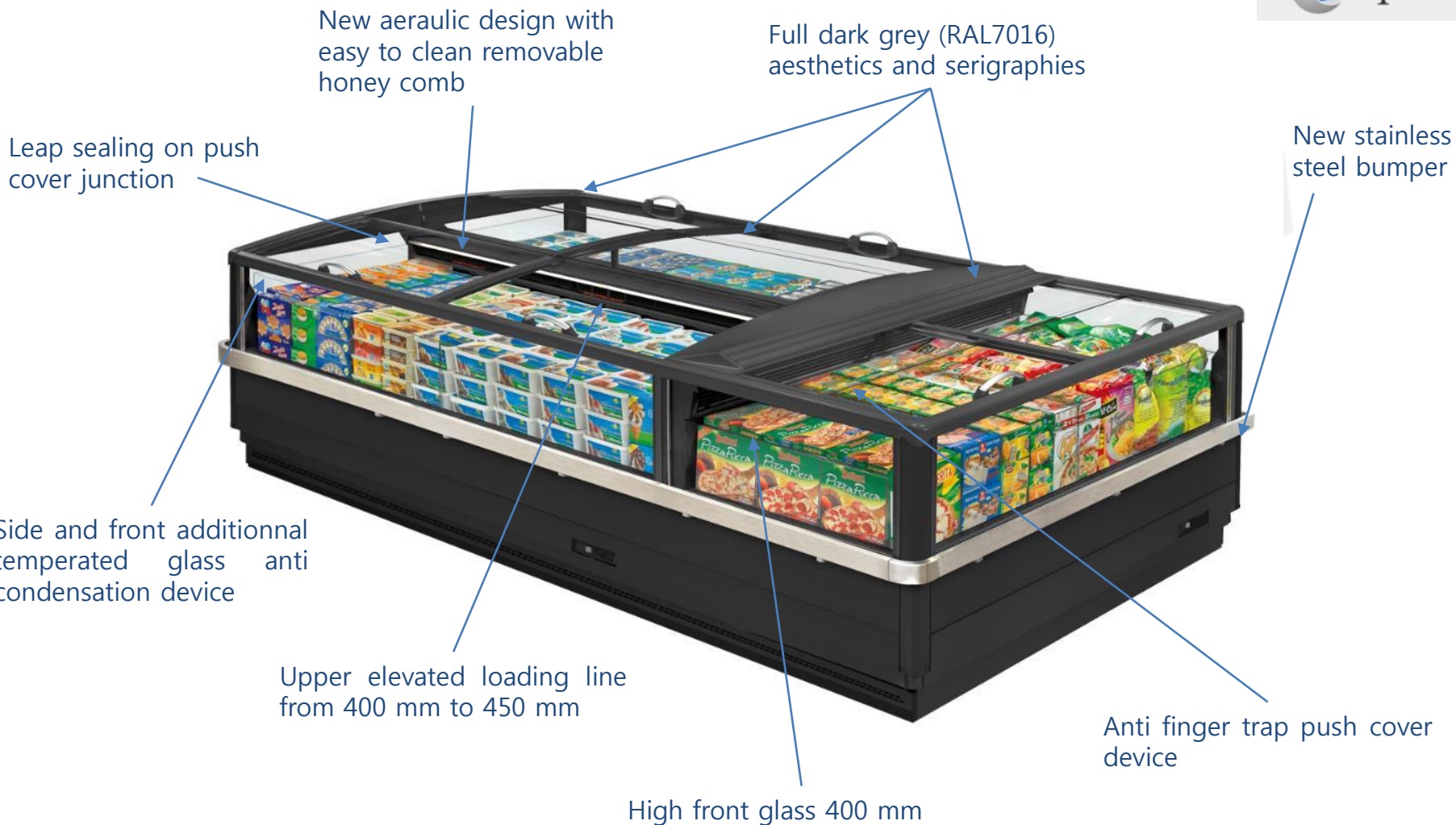
Cosmos Eco Dual main advantages are :

- Double independent evaporators , one on each chest side
- Increased storage volume thanks to its upper elevated loading line from 400 to 450 mm
- Enhanced resistance to condensation due to new aeraulic design and smart additional devices
- New appealing bumper design under the glass that reinforce perceived quality of robustness

For internal use only

COSMOS ECO DUAL

Product at a glance



COSMOS ECO DUAL

Product at a glance

COSMOS ECO DUAL product range

Width : 2000 mm only

Lengths : 250 and 375 linears, 200 EOL

Applications (not reversible on site) : frozen 3L1 or medium temperature 3M2*, 3M1*

Lighting position : without, center or handrail or both

LED offer : value or advance

Fluids : CO₂ transcritical or HFC R134A, R404A, R407A/C/
/F, R410A, R422D, R448, R449, R452A

Controllers : Danfoss AK-CC 550A + AKV + 4 PT1000 or
Carel MPXPRO + E2V + 4 NTC

Controllers position : one on each chest side

Defrost : electrical

Electronics : SRTS

Covers : push

End wall : panoramic

Aesthetic and cover color : Dark grey (RAL 7016)

Food display : wired grid, elevated bottom

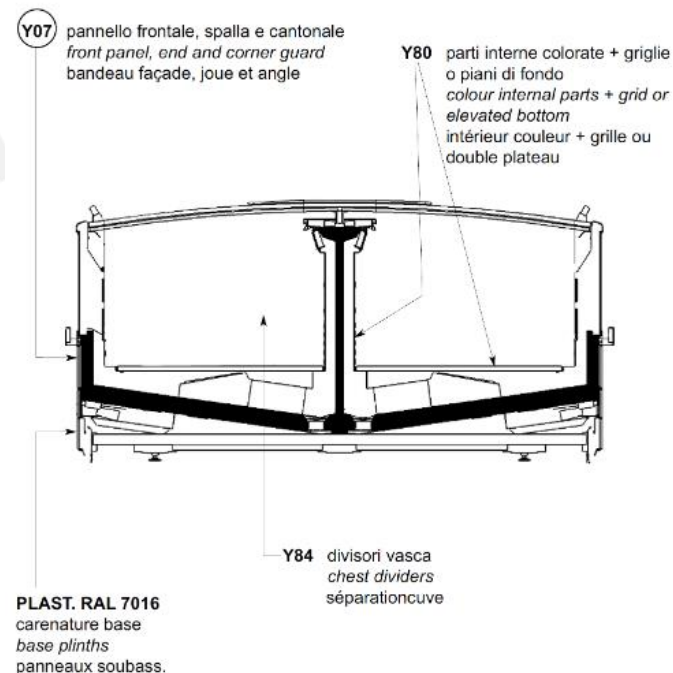
Ticket holder position : Pyramid

Ticket holder type : Universal rail, Paper 40 or 52mm

Chest dividers: glass, wired (125, 160, 195, 275, 370)



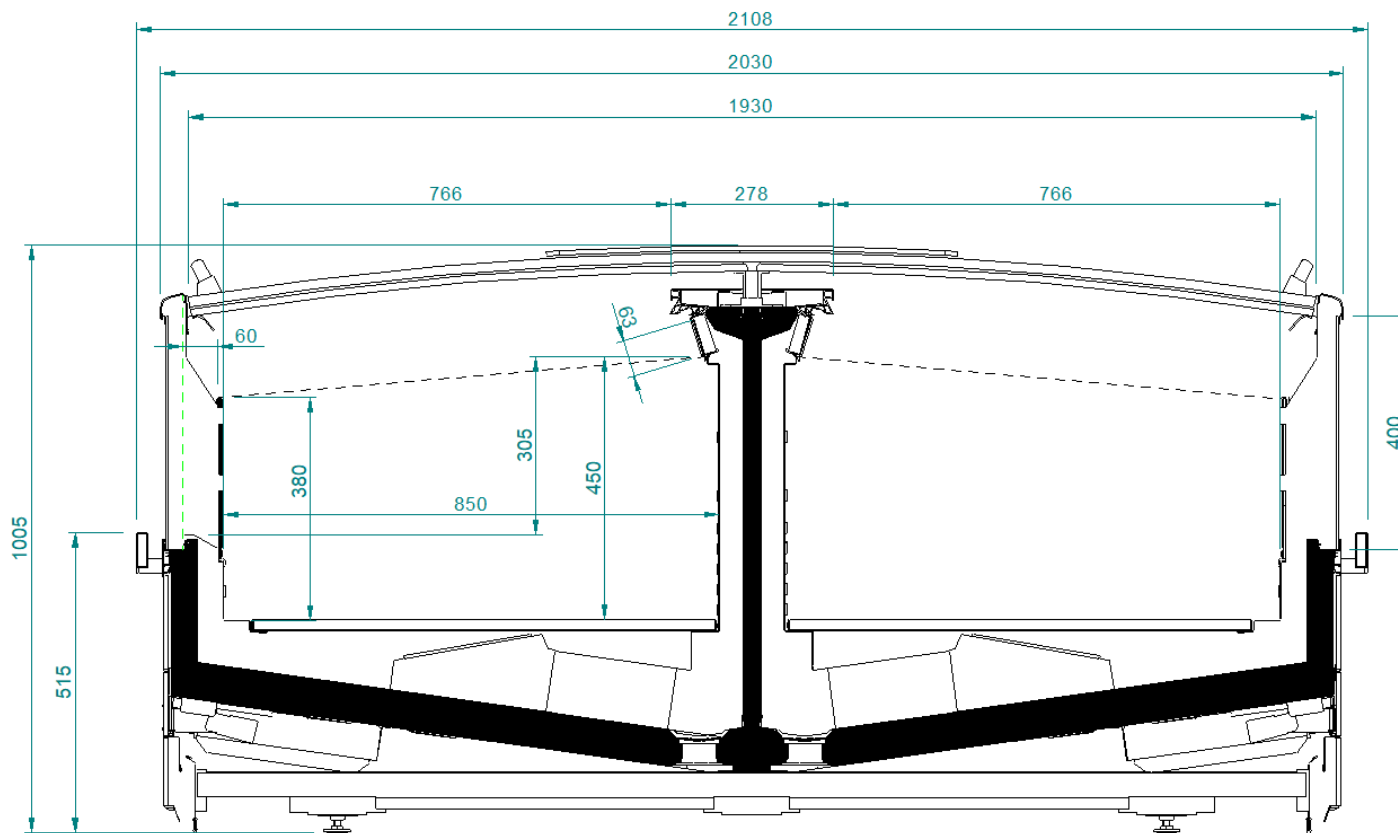
188 version is not available



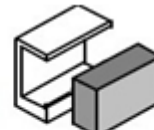
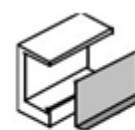


* : Food display height to be adjusted

COSMOS ECO DUAL

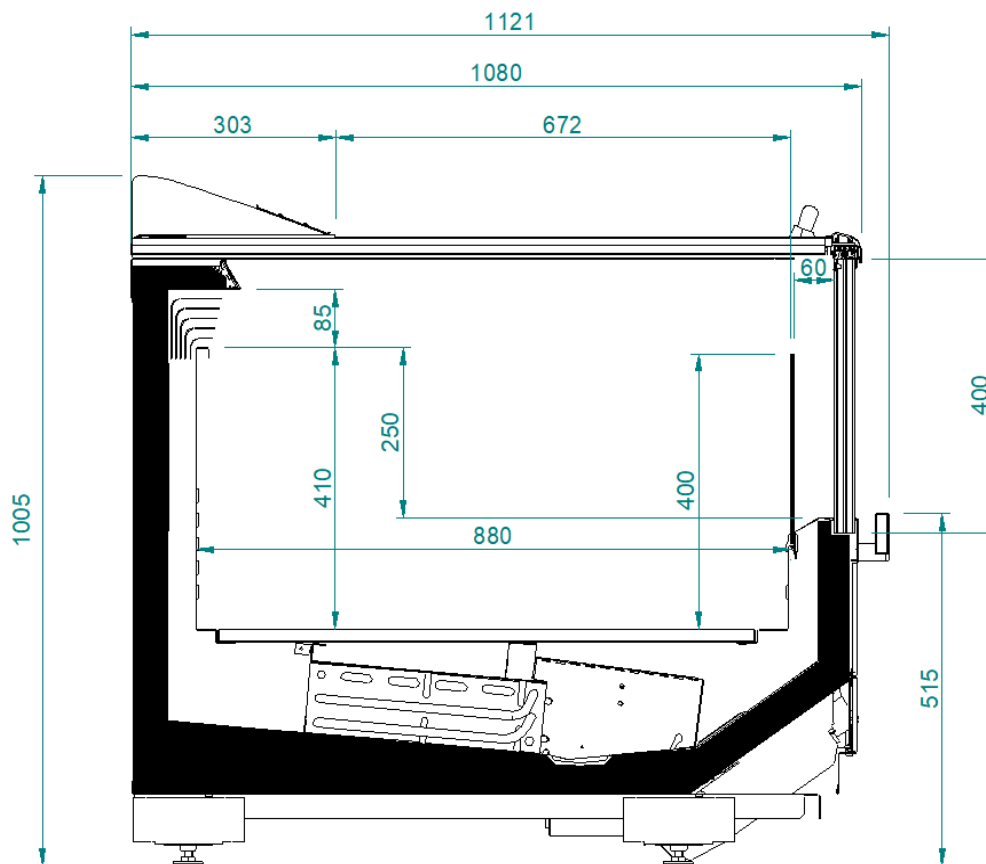
Dimensions – Linear


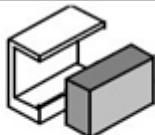



Models	L (mm)	L (mm)	V (dm ³)	TDA (m ²)
				
250	2500	2634	1750	5,1
375	3750	3884	2630	7,7

COSMOS ECO DUAL

Dimensions – EOL



Models	L (mm) 	V (dm ³) 	TDA (m ²) 
EOL	2016	679	1,7



www.bonnetneve.com



Bonnet Névé S.A. participates in the ECC programme for refrigerated display cabinets (RDC). Check ongoing validity of certificate online: www.eurovent-certification.com or using: www.certiflash.com



www.eptarefrigeration.com