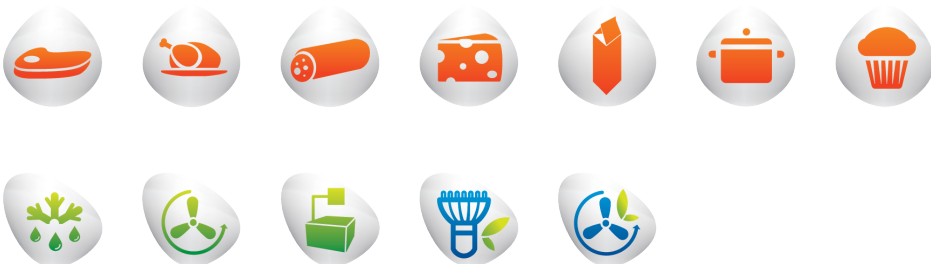




Epta S.p.A. participates in the ECC programme for Refrigerated display cabinets (RDC). Check ongoing validity of certificate online: www.eurovent-certification.com or using: www.certiflash.com

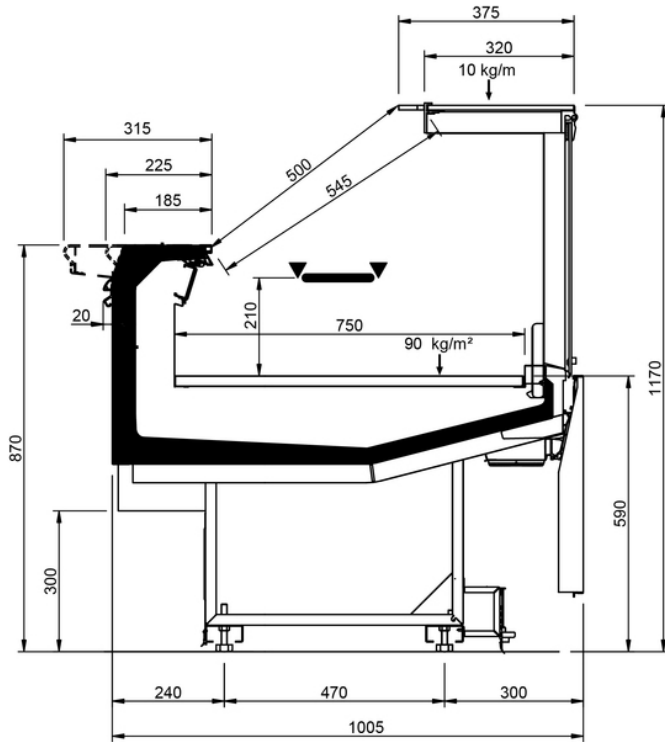


Shape E Design

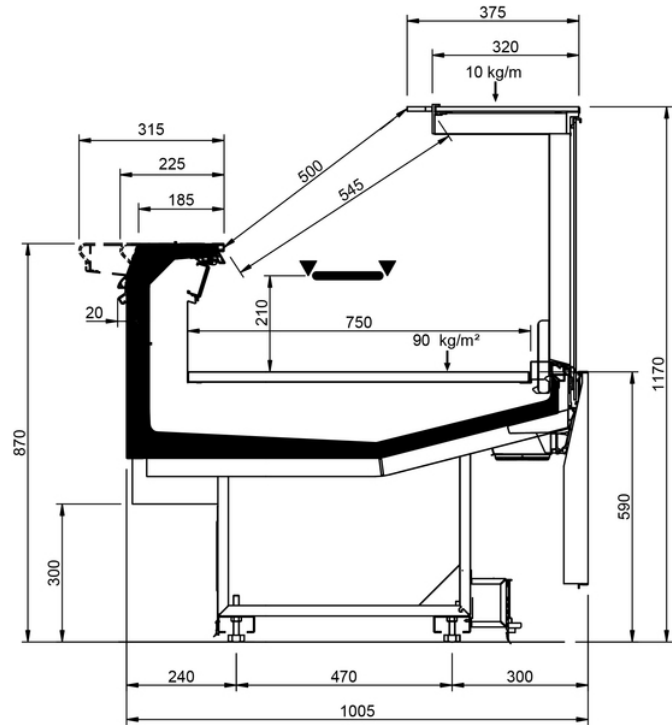
Shape E Design									
Length mm	937	1250	1875	2500	3125	3750	AF 45°	AO 90°	AO 45°
Shape E Design	DD	•	•	•	•	•	•		
	LD	•	•	•	•	•		•	•
	ODF	•	•	•	•	•	•		•
	DDP	•	•	•	•	•	•	•	•
	DC	•	•	•	•	•	•	•	•
	LS	•	•	•	•	•	•	•	•
Display area m2	0.75								
Loading area m2	1.01								
End thickness mm	35.00								

Shape E Design

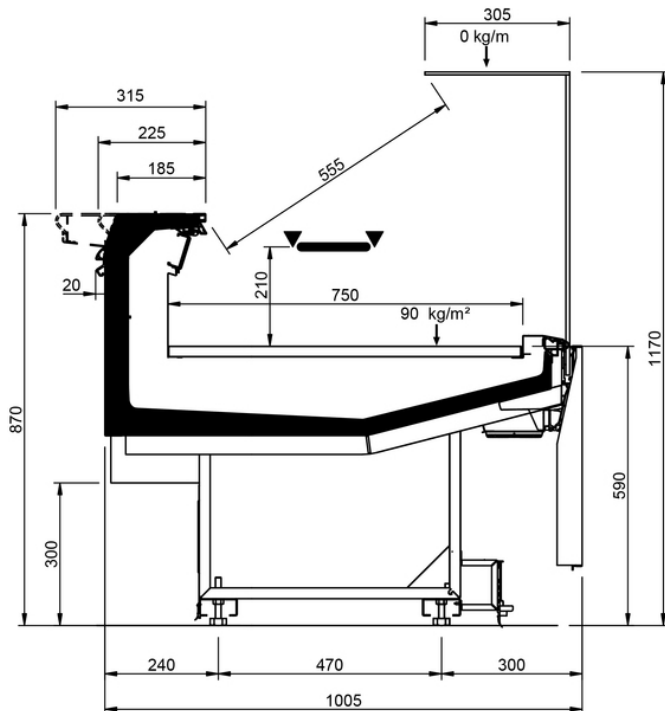
LD



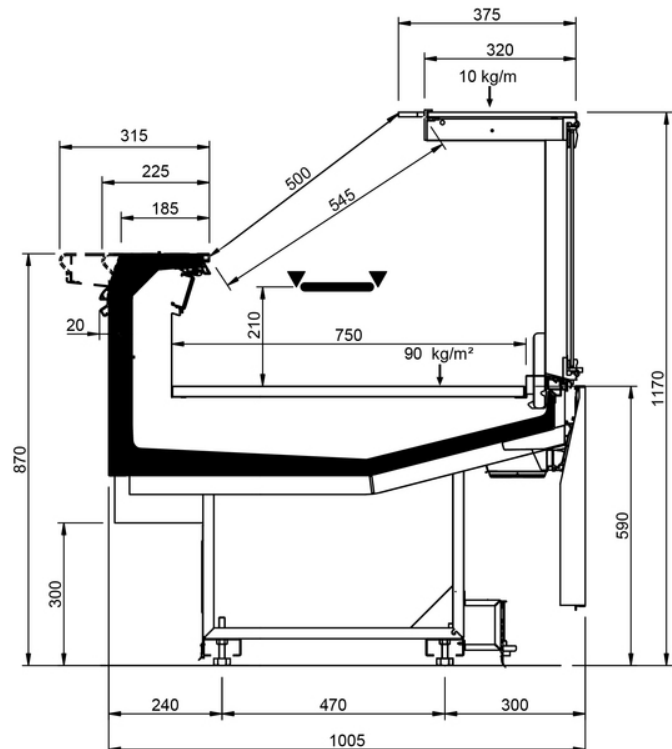
DD



DDP

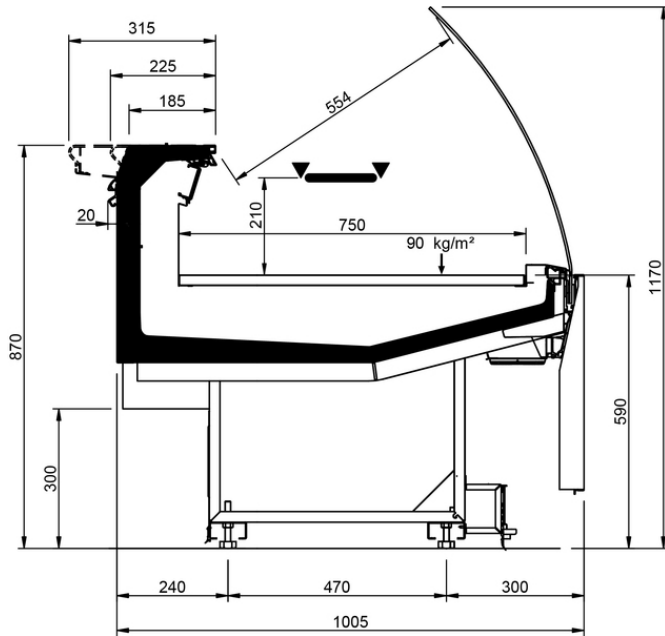


ODF

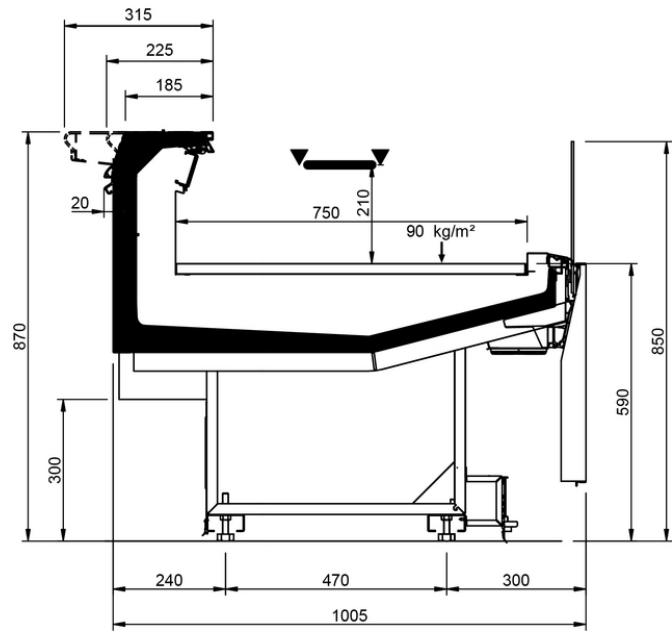


Shape E Design

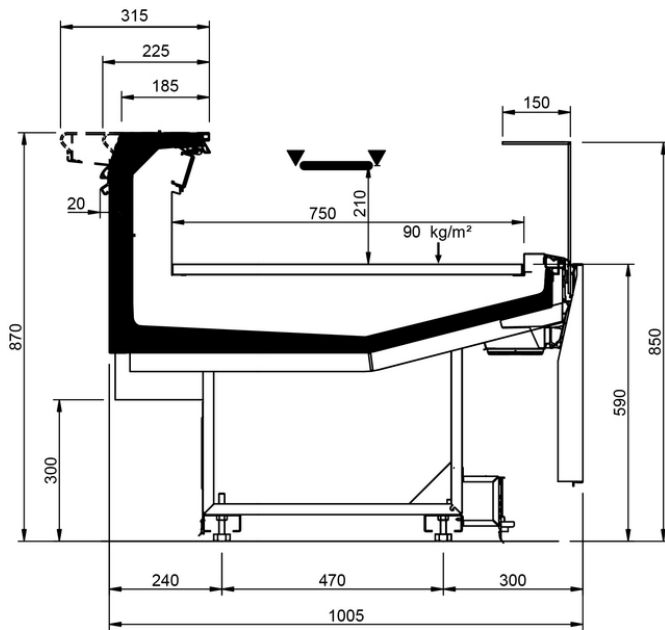
DC



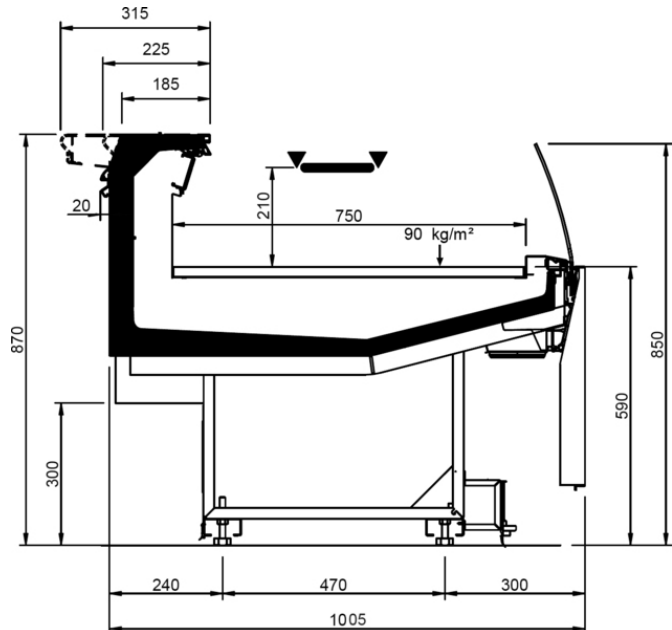
LS-D



LS-P



LS-C



Legend

 Meat	 Chicken	 Fish	 Pre-packed fish
 Delicatessen	 Cheese	 Dairy products	 Gastronomy
 Pastries	 Pre-packed fish	 Fruits and Vegetables	 Sandwiches
 Drinks	 Pizza	 Bread	 Frozen food and ice cream
 Off-cycle defrost	 Electric defrost	 Hot-gas defrosting system	 Manual defrost
 Ventilated	 Static	 Incorporated condensing unit	 Remote condensing unit
 Bagnomaria	 Ceramic glass	 Ice	 VSD Inverter technology
 LED lighting	 Zero C doors	 High efficiency fans	 R290 Propane refrigerant gas (R290)
 R-134a - 400V/3PH/50Hz	 R404A - 400V/3PH/50Hz	 R744 - 400V/PH/50Hz	 Semi-hermetic reciprocating compressor
 Hermetic scroll compressor	 Compressor hermetic reciprocating	 External installation	 Machinery room
 Soundproof housing	 On board condenser	 Remote condenser	 DUAL Medium & Low temperature