

CAPTUR

Complementaries



Product categories



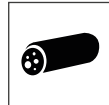
Meat



Chicken



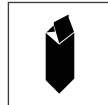
Pre-packed fish



Delicatessen



Cheese



Dairy products



Pre-packed
fruit&veg



Sandwiches



Frozen Food
and Ice cream

Technical features



Ventilated



Incorporated
condensing unit



LED lighting



Electric defrost



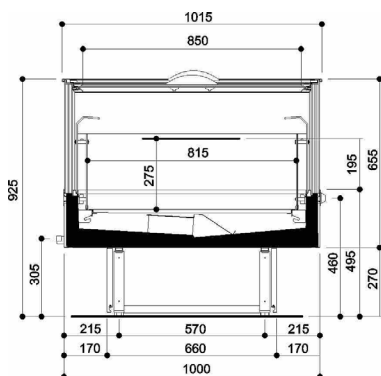
R290

Propane
refrigerant gas
(R290)

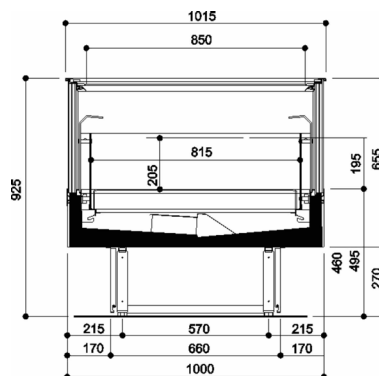
Product range

CAPTUR					
CAPTUR	CLOSED			OPEN	
	LT/MT			MT	
	1000	1500	2000	1500	2000
	•	•	•	•	•
Display area Superficie di esposizione Warenpräsentationsfläche Surface d'exposition Superficie expositiva m2	1.36	1.96	2.56	1.96	2.56
Loading area Superficie di appoggio Nutzfläche Surface de chargement Superficie de apoyo m2	1.00	1.50	2.00	1.50	2.00
Net storage capacity Capacità netta Nutzinhalt volume utile Capacitat neta dm3	199.00	311.00	423.00	311.00	423.00
Dimensions Dimensioni Größe Dimensions Dimensiones LxAxP mm	1000x925x1000	1500x925x1000	2000x925x1000	1500x925x1000	2000x925x1000

Cross sections



CLOSED - LT/MT



OPEN - MT