

# DUALIO CLOSED

Mozaik



## Product categories



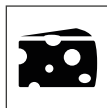
Meat



Chicken



Delicatessen



Cheese



Dairy products



Pre-packed  
fruit&veg

## Technical features



Ventilated



Remote  
condensing unit



LED lighting



High efficiency  
fans



Off-cycle  
defrost



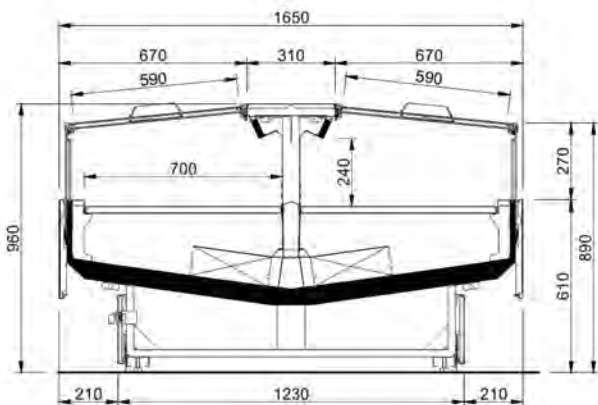
Natural defrost  
Plus



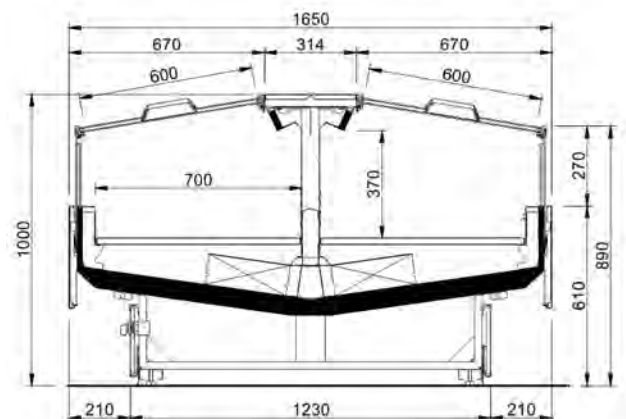
## Product range

DUALIO CLOSED											
Length-Lunghezza Longueur-Länge-Longitud mm		1250		1875		2500		3750		EOL 1650	
Width-Larghezza-Largeur-Breite-Ancho mm		E	M	E	M	E	M	E	M	E	M
<b>LL-235</b>		•	•	•	•	•	•	•	•	•	•
<b>MAX LL-365</b>		•	•	•	•	•	•	•	•	•	•
Display area Superficie di esposizione Warenpräsentationsfläche Surface d'exposition Superficie expositiva m <sup>2</sup>	<b>STD LL235</b>	1.87	2.17	2.82	3.26	3.74	4.33	5.61	6.50	1.57	1.79
	<b>MAX LL365</b>	1.93	2,23	2.91	3.38	3.86	4.45	5.80	6.68	1.70	1.89
Net storage capacity Capacità netta Nutzinhalt volume utile Capacitat neta dm <sup>3</sup>	<b>STD LL235</b>	288	350	434	528	575	700	863	1050	181	2.74
	<b>MAX LL365</b>	393	475	592	716	786	950	1178	1425	234	325
Loading area Superficie di appoggio Nutzfläche Surface de chargement Superficie de apoyo m <sup>2</sup>		2.06	2.36	3.09	3.54	4.12	4.72	6.18	7.08	1.6	2.06
End thickness Spessore spalla Stärke der Seitenwand Épaisseur de cheque joue Espesor lateral mm		50.00									

## Cross Sections



E- STD

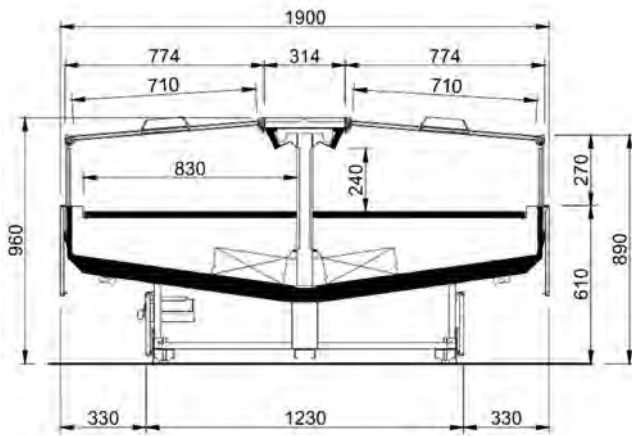


E- MAX

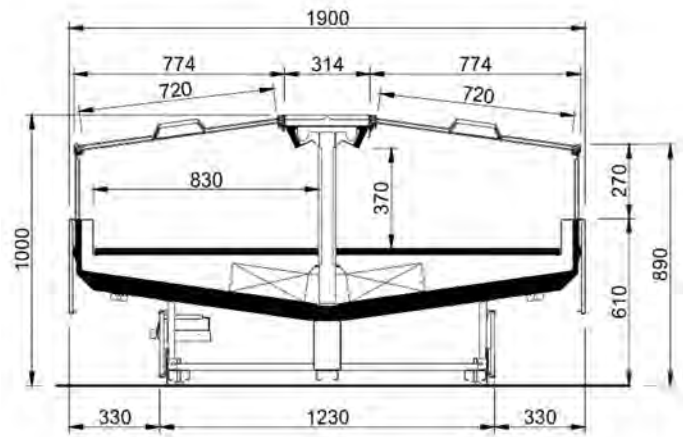
# DUALIO CLOSED

Mozaik

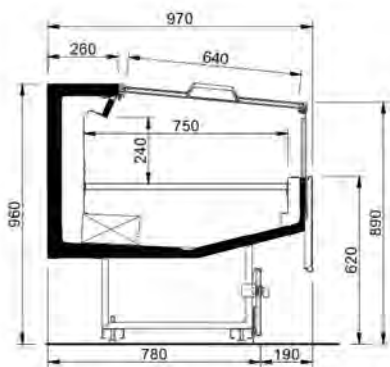
## Cross Sections



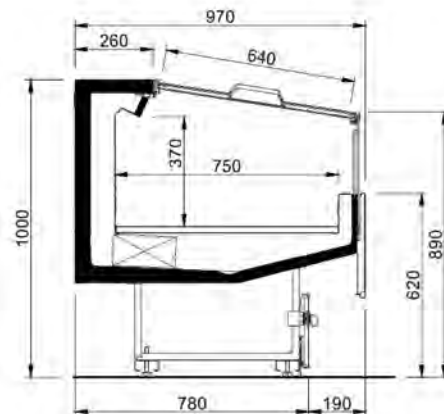
M STD



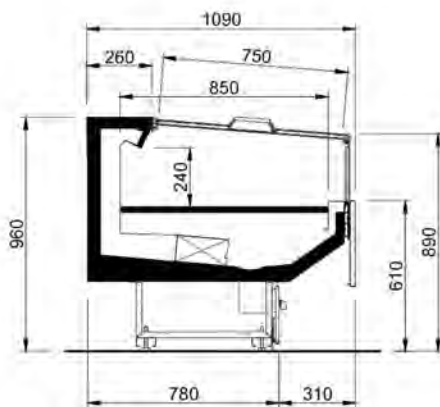
M MAX



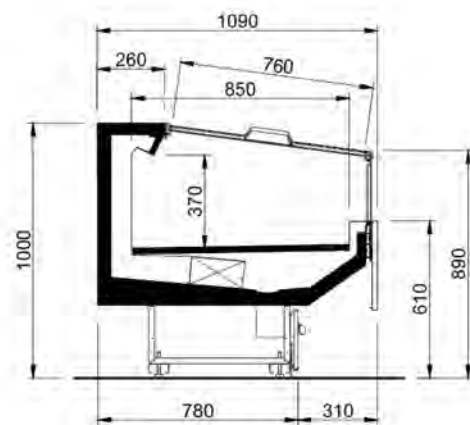
EOL E STD



EOL E MAX



EOL M STD



EOL M MAX