

DUALIO SV CLOSED

Mozaik



Product categories



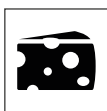
Meat



Chicken



Delicatessen



Cheese



Dairy products



Pre-packed
fruit&veg



Pre-packed fish

Technical features



Ventilated



Remote
condensing unit



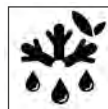
LED lighting



High efficiency
fans



Off-cycle
defrost



Natural defrost
Plus

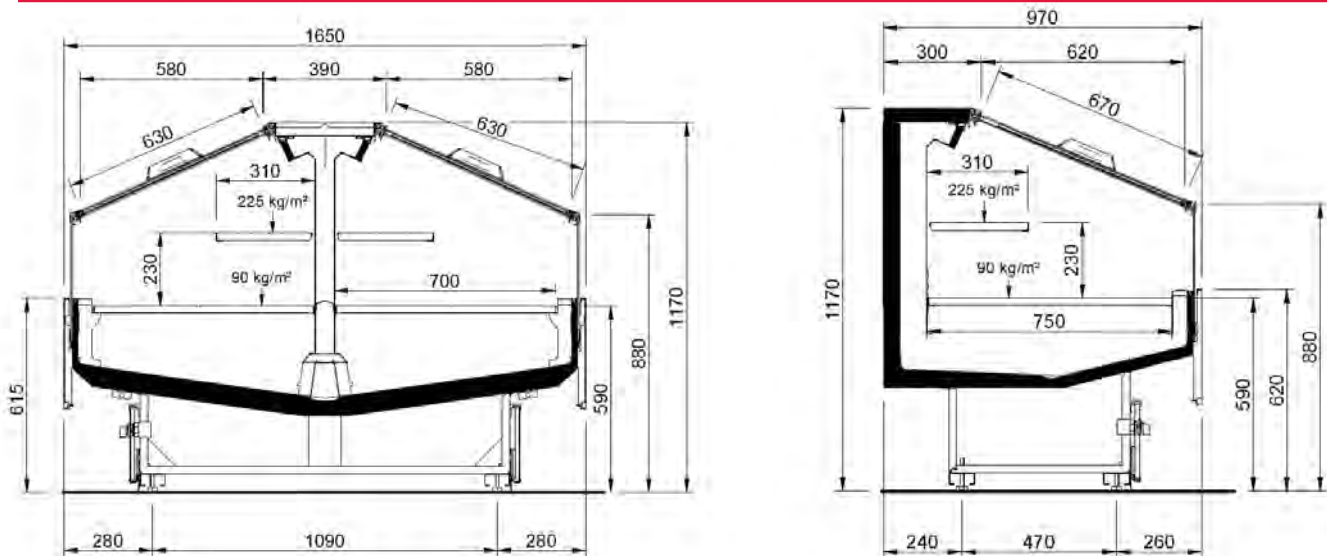
DUALIO SV CLOSED

Mozaik

Product range

| DUALIO SV CLOSED | | | | | | |
|---|-------------|-------------|-------------|-------------|---------------------|------|
| Lenght -Lunghezza Longueur-Länge-Longitud mm | 1250 | 1875 | 2500 | 3750 | EOL 1650 | |
| 1 SHELF | • | • | • | • | • | |
| 2 SHELVES | • | • | • | • | • | |
| Display area Superficie di esposizione Warenpräsentationsfläche Surface d'exposition Superficie expositiva m ² | 1 S | 2.24 | 3.35 | 4.49 | 6.73 | 1.79 |
| | 2 S | 2.24 | 3.35 | 4.49 | 6.73 | 1.80 |
| Loading area Superficie di appoggio Nutzfläche Surface de chargement Superficie de apoyo m ² | | 2.06 | 3.09 | 4.12 | 6.18 | 1.6 |
| End thickness Spessore spalla Stärke der Seitenwand Épaisseur de cheue joue Espesor lateral mm | 50.00 | | | | | |

Cross sections



DUALIO SV CLOSED

Mozaik

Cross Sections

