

# KALEÏDO INTEGRAL

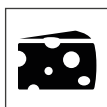
Mozaik



## Product categories



Delicatessen



Cheese



Dairy products



Gastronomy



Pre-packed  
fruit&veg

## Technical features



Ventilated



Incorporated  
condensing  
unit



LED lighting



High efficiency  
fans



R290  
Propane  
refrigerant gas  
(R290)

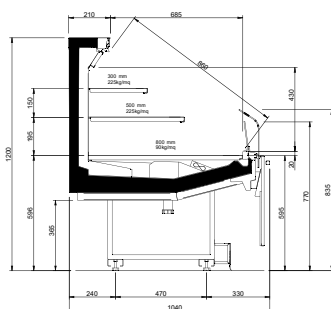


Off-cycle  
defrost

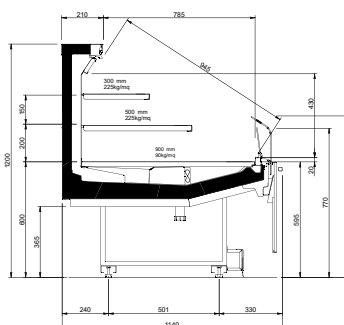
## Product range

KALEÏDO INTEGRAL					
<b>Lenght</b> -Lunghezza Longueur-Länge-Longitud mm			<b>1250</b>	<b>1875</b>	<b>2500</b>
<b>Height</b> -Altezza-Hauteur-Höhe-Altura mm			1200	1200	1200
<b>KALEÏDO INTEGRAL</b>	<b>DESIGN</b>	<b>E</b>	•	•	•
		<b>M</b>	•	•	•
	<b>STUDIO</b>	<b>E</b>	•	•	•
		<b>M</b>	•	•	•
<b>Display area</b> Superficie di esposizione Warenpräsentationsfläche Surface d'exposition Superficie espositiva m <sup>2</sup>		<b>Efficia</b>	1.39	2.10	2.79
		<b>Modular</b>	1.52	2.29	3.04
<b>Loading area</b> Superficie di appoggio Nutzfläche Surface de chargement Superficie de apoyo m <sup>2</sup>		<b>Efficia</b>	1.30	1.95	2.60
		<b>Modular</b>	1.42	2.13	2.85
<b>End thickness</b> Spessore spalla Stärke der Seitenwand Épaisseur de cheque joue Espesor lateral mm		30.00 (+ 35 Batticarrello/Bumper Rail/Pare-choc/Wagenstoßleiste/Parachoques)			

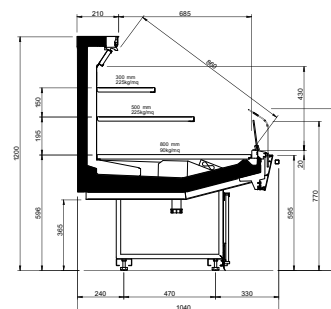
## Cross sections



DESIGN - EFFICIA

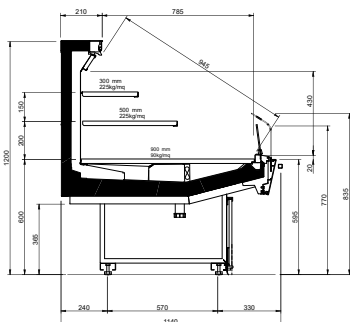


DESIGN - MODULAR



STUDIO - EFFICIA

## Cross Sections



STUDIO - MODULAR