

NORDICSTAR IS7

NordicStar



Product categories



Frozen Food
and Ice cream

Technical features



Ventilated



Remote
condensing unit



LED lighting



High efficiency
fans




Electric defrost

NORDICSTAR IS7

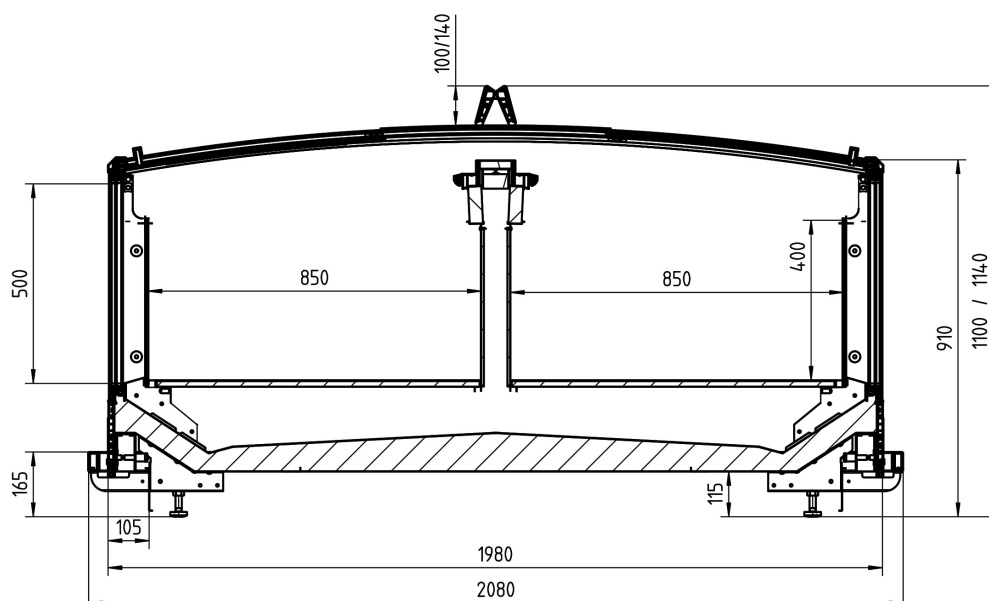
NordicLine

Product range

| NordicStar IS7 | |
|-------------------------|---|
| External length (mm) | 1875, 2500, 3750, crown end 2000 |
| External height (mm) | 900 |
| External depth (mm) | 1980, crown end 1070 |
| Temperature range (°C) | -23 to -21 |
| Refrigerants | R744 (CO ₂) |
| Energy efficiency class |  |

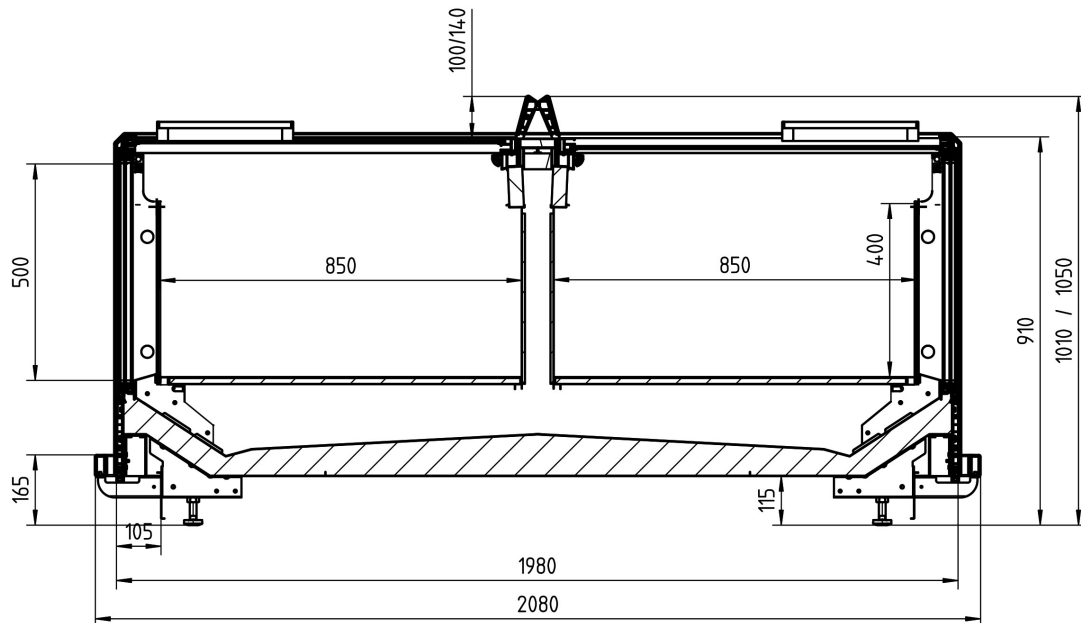
Cross sections

LINEAR CURVED GLASS



Cross Sections

LINEAR FLAT GLASS



CROWN END

