

# PROXIMA ECO 4 SG - VISEO ECO 4 SG



## Product categories



Meat



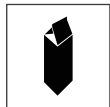
Chicken



Delicatessen



Cheese



Dairy products



Pre-packed  
fruit&veg

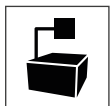


Fruit and  
Vegetables

## Technical features



Ventilated



Remote  
condensing unit



LED lighting



High efficiency  
fans



Electric defrost



Off-cycle  
defrost

## Certification and patents



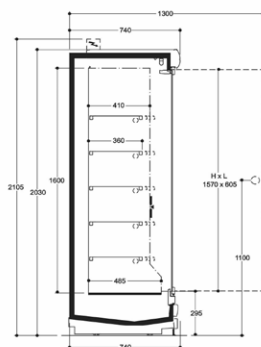
Eurovent\*

\* Epta S.p.A. participates in the ECC programme for: Refrigerated display cabinets (RDC); Check ongoing validity of certificate online: [www.eurovent-certification.com](http://www.eurovent-certification.com) or using: [www.certiflash.com](http://www.certiflash.com)

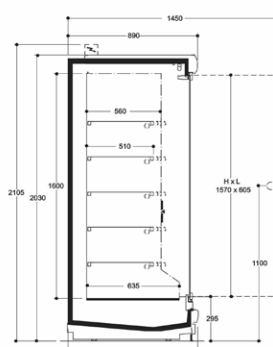
## Product range

PROXIMA ECO 4 DG - VISEO ECO 4 DG													
Length-Lunghezza Longueur-Länge-Longitud mm		1250		1875		2500		3750		EOL2000		EOL2310	
Height - Altezza - Hauteur Höhe - Altura mm		20 P	22 V	20 P	22 V	20 P	22 V	20 P	22 V	20 P	22 V	20 P	22 V
<b>PROXIMA VISEO ECO 4</b>	<b>SG</b>	•	•	•	•	•	•	•	•	•	•	•	•
<b>Display area</b> Superficie di esposizione Warenpräsentationsfläche Surface d'exposition Superficie expositiva m2	<b>SG</b>	2.06	2.30	3.08	3.44	4.11	4.60	6.17	6.90	3.18	3.55	3.67	4.10
<b>Loading area</b> Superficie di appoggio Nutzfläche Surface de chargement Superficie de apoyo m2	<b>SG</b>	0.90	0.90	1.35	1.35	1.85	1.85	2.75	2.75	1.77	1.77	2.04	2.04
<b>End thickness</b> Spessore spalla Stärke der Seitenwand Épaisseur de cheque joue Espesor lateral mm		30.00 (+ 35 Batticarrello/Bumper Rail/Pare-choc/ Wagenstoßleiste/ Parachoques)											

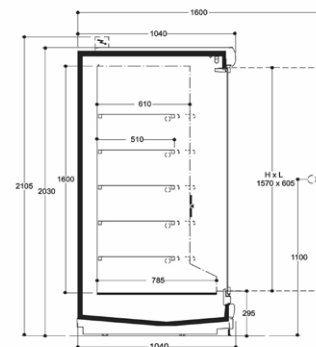
## Cross sections



PROXIMA EFFICIA - H20

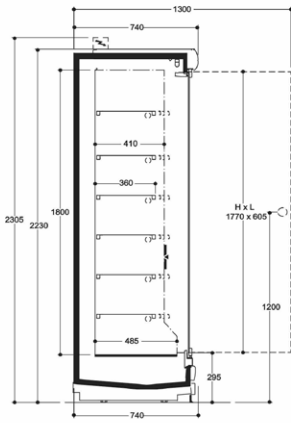


PROXIMA MODULAR- H20

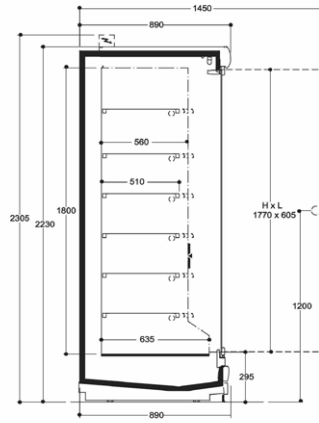


PROXIMA VOLUM - H20

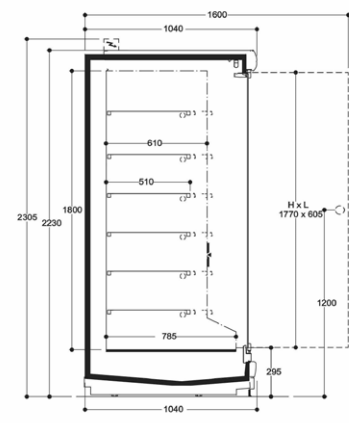
## Cross Sections



VISEO EFFICIA - H22



VISEO MODULAR - H22



VISEO VOLUM - H22