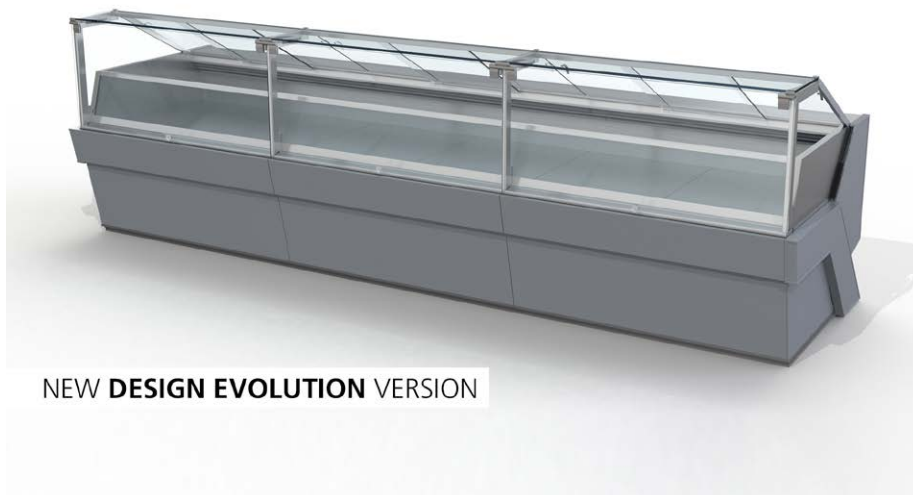


SHAPE M FROZEN

Mozaik



Product categories

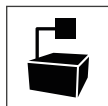


Frozen Food
and Ice cream

Technical features



Ventilated



Remote
condensing unit



LED lighting



High efficiency
fans



Electric defrost

Certification and patents



Eurovent*



TechnoKleen



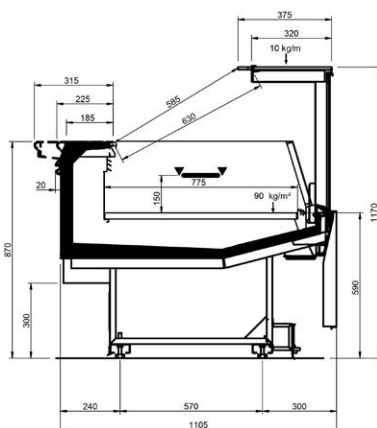
Epta Adamant

* Epta S.p.A. participates in the ECC programme for:
Refrigerated display cabinets (RDC); Check ongoing validity
of certificate online: www.eurovent-certification.com
or using: www.certiflash.com

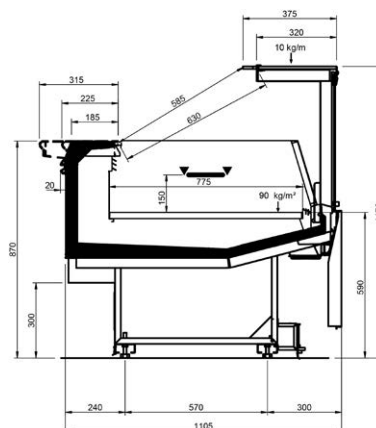
Product range

SHAPE M FROZEN				
Length -Lunghezza Longueur-Länge-Longitud mm	1250	1875	2500	3750
DD	•	•	•	•
LD	•	•	•	•
ODF	•	•	•	•
LC	•	•	•	•
Display area Superficie di esposizione Warenpräsentationsfläche Surface d'exposition Superficie expositiva m2/ml	0.85			
Loading area Superficie di appoggio Nutzfläche Surface de chargement Superficie de apoyo m2/ml	1.08			
End thickness Spessore spalla Stärke der Seitenwand Épaisseur de cheue joue Espesor lateral mm	55.00 Style-Studio / 35.00 Design			

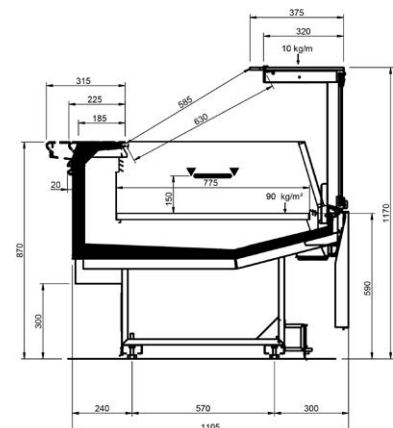
Cross sections



DESIGN - DD



DESIGN - LD

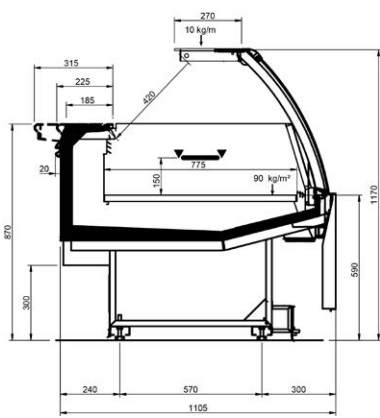


DESIGN - ODF

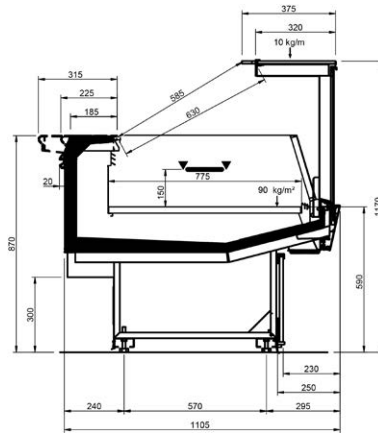
SHAPE M FROZEN

Mozaik

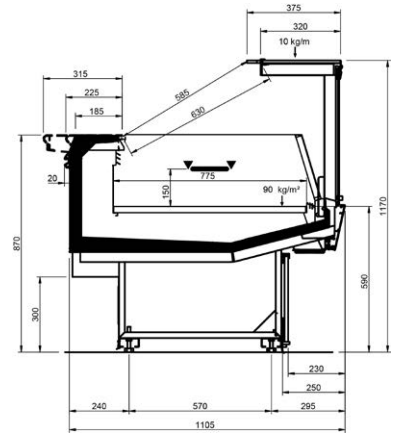
Cross Sections



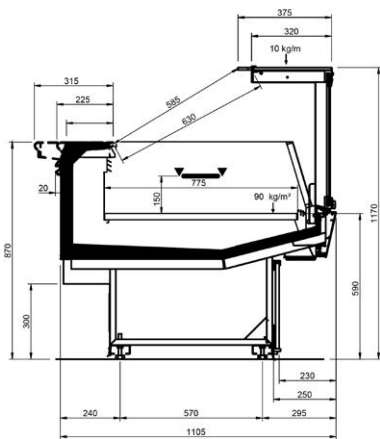
DESIGN - LC



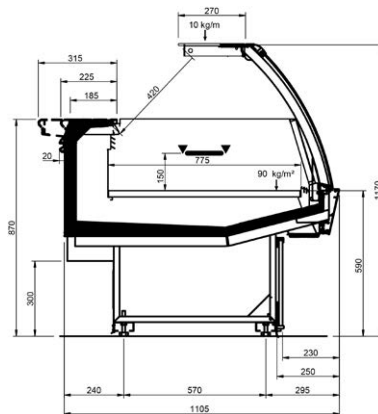
STUDIO - DD



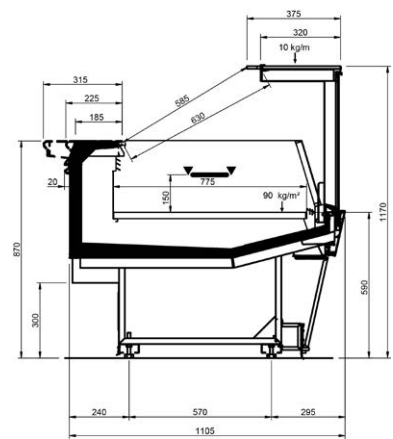
STUDIO - LD



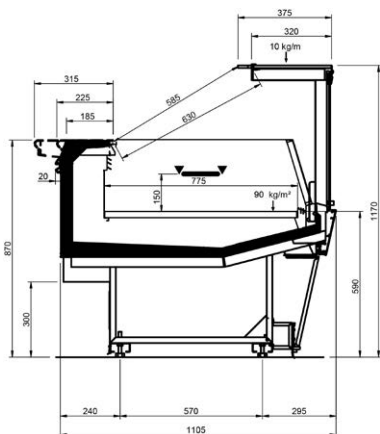
STUDIO - ODF



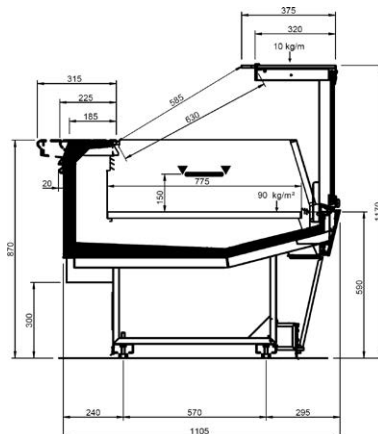
STUDIO - LC



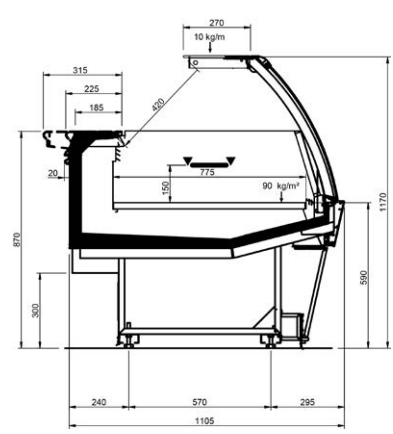
STYLE - DD



STYLE - LD



STYLE - ODF



STYLE - LC