



Product categories

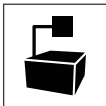


Frozen Food
and Ice cream

Technical features



Ventilated



Remote
condensing unit



LED lighting



High efficiency
fans



Electric defrost



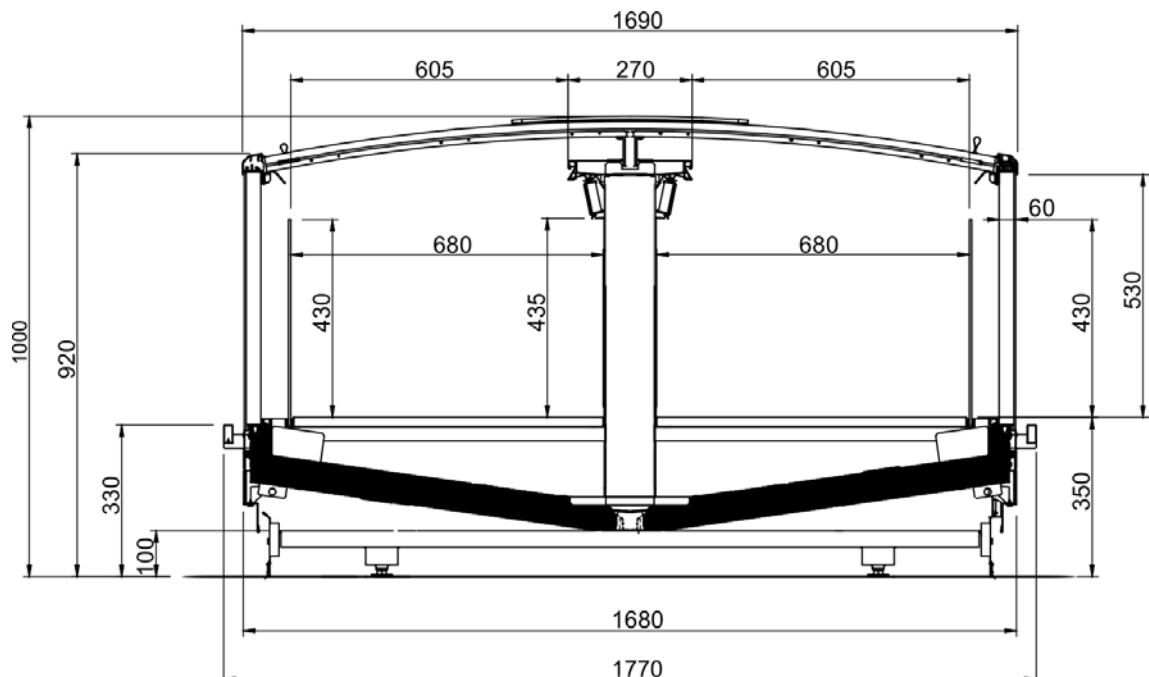
ENERGY CLASS*

Product range

SKYEXPO M				
Length -Lunghezza Longueur-Länge-Longitud mm	1885	2500	3750	EOL 1690
SKYEXPO M	•	•	•	•
Display area Superficie di esposizione Warenpräsentationsfläche Surface d'exposition Superficieexpositiva m2	3.72	4.99	7.49	2.21
Loading area Superficie di appoggio Nutzfläche Surface de chargement Superficie de apoyo m2	3.15	4.20	6.18	1.81
Net storage capacity Capacità netta Nutzinhalt volume utile Capacitat neta dm3	1099.41	1459.63	2192.96	538.96
End thickness Spessore spalla Stärke der Seitenwand Épaisseur de cheue joue Espesor lateral mm	Spalla panoramica/Panoramic end/Joue panoramique/ Verglaste Seitenwand/ Lateral panorámico: 70.00 (+104 batticarrello/bumper rail/pare-chocs/Stoßstange/ parachoque)			

Cross sections

LINEAR



Cross Sections

EOL

