

# SKYEXPO V SLIDING



## Product categories

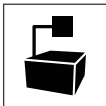


Frozen Food  
and Ice cream

## Technical features



Ventilated



Remote  
condensing unit



LED lighting



High efficiency  
fans



Electric defrost



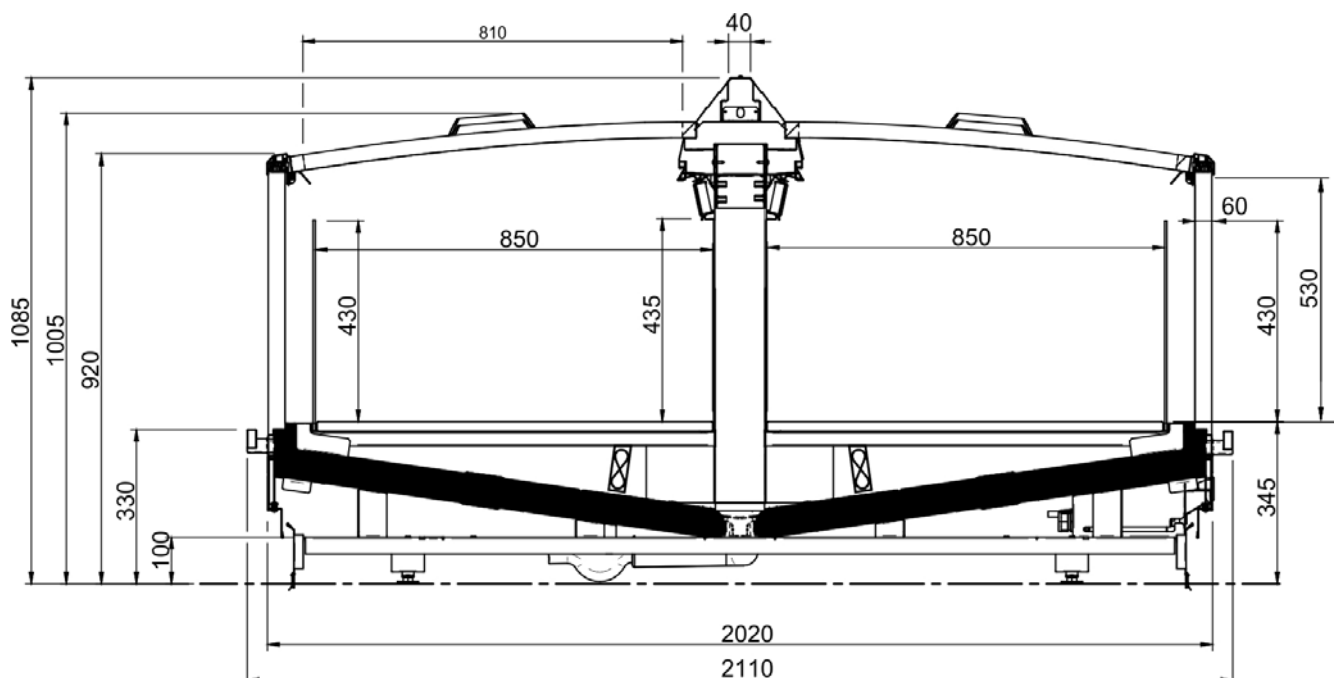
ENERGY CLASS\*

## Product range

SKYEXPO V SLIDING			
<b>Lenght-Lunghezza</b> Longueur-Länge-Longitud mm	<b>1885</b>	<b>2500</b>	<b>3750</b>
<b>SKYEXPO V SLIDING</b>	•	•	•
<b>Display area</b> Superficie di esposizione Warenpräsentationsfläche Surface d'exposition Superficieexpositiva m2	4.324	5.806	8.709
<b>Loading area</b> Superficie di appoggio Nutzfläche Surface de chargement Superficie de apoyo m2	3.78	5.05	7.57
<b>Net storage capacity</b> Capacità netta Nutzinhalt volume utile Capacitat neta dm3	1374.35	1824.64	2741.36
<b>End thickness</b> Spessore spalla Stärke der Seitenwand Épaisseur de cheque joue Espesor lateral mm	Spalla panoramica/Panoramic end/Joue panora- mique/ Verglaste Seitenwand/ Lateral panorámico: 70.00 (+104 batticarrello/bumper rail/pare-chocs/ Stoßstange/ parachoque)		

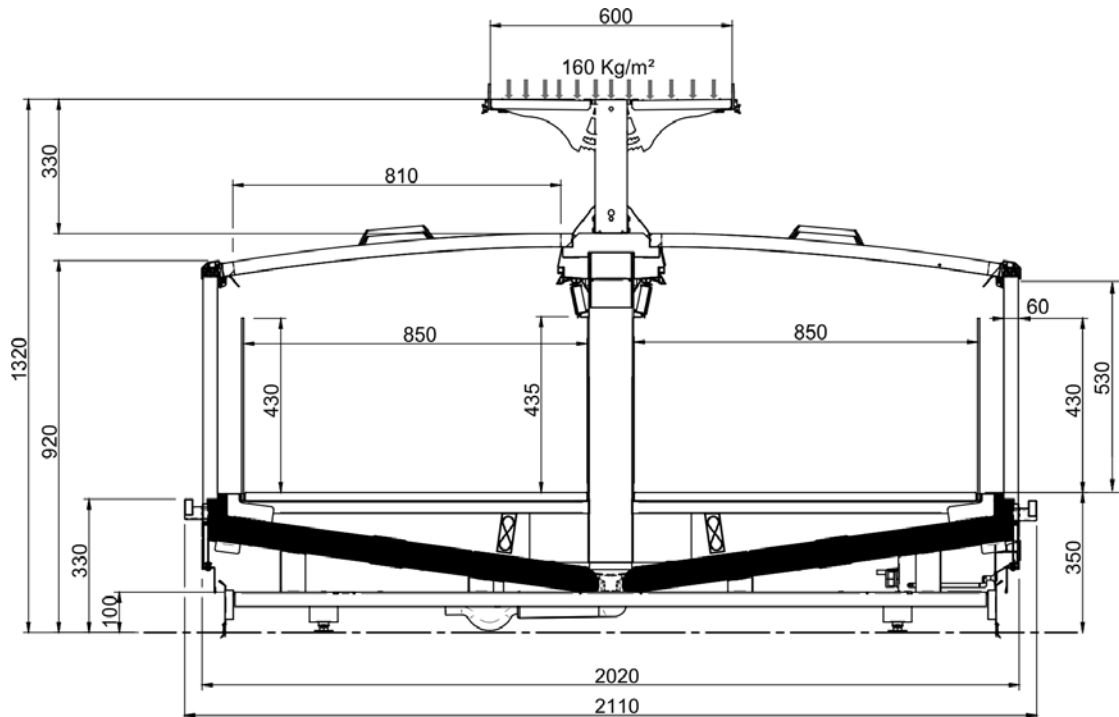
## Cross sections

### LINEAR SLIDING



## Cross Sections

### LINEAR SLIDING + 1 SHELF



### LINEAR SLIDING + 5 SHELVES

