

SKYVIEW URBAN

SkyEffect



Product categories



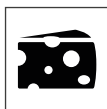
Meat



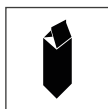
Chicken



Delicatessen



Cheese



Dairy products



Pre-packed
fruit&veg



Fruit and
Vegetables



Sandwiches

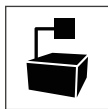


Drinks

Technical features



Ventilated



Remote
condensing unit



LED lighting



High efficiency
fans



Electric defrost



Off-cycle
defrost



EPTABLUÉ

Certification and patents



Epta
DualAir flow

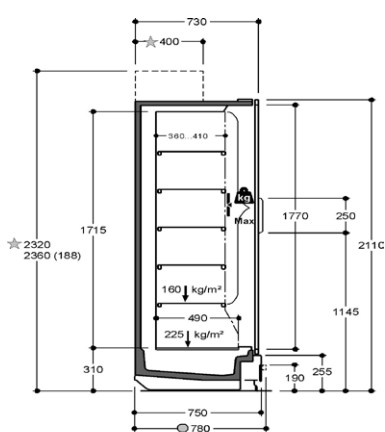


HighFlux

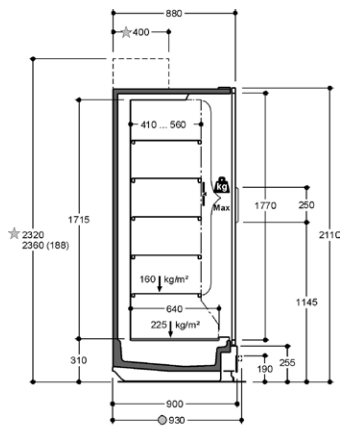
Product range

SKYVIEW URBAN			
Length-Lunghezza Longueur-Länge-Longitud mm		EFFICIA	MODULAR
SKYVIEW URBAN	Closed	•	•
Display area Superficie di esposizione Warenpräsentationsfläche Surface d'exposition Superficie expositiva m2	Closed	2.11	2.22
Loading area Superficie di appoggio Nutzfläche Surface de chargement Superficie de apoyo m2	Closed	0.90	1.10
End thickness Spessore spalla Stärke der Seitenwand Épaisseur de cheve joue Espesor lateral mm		30.00 (+ 35 Bumper Rail)	

Cross sections



EFFICIA - H2O CLOSED



MODULAR - H2O CLOSED