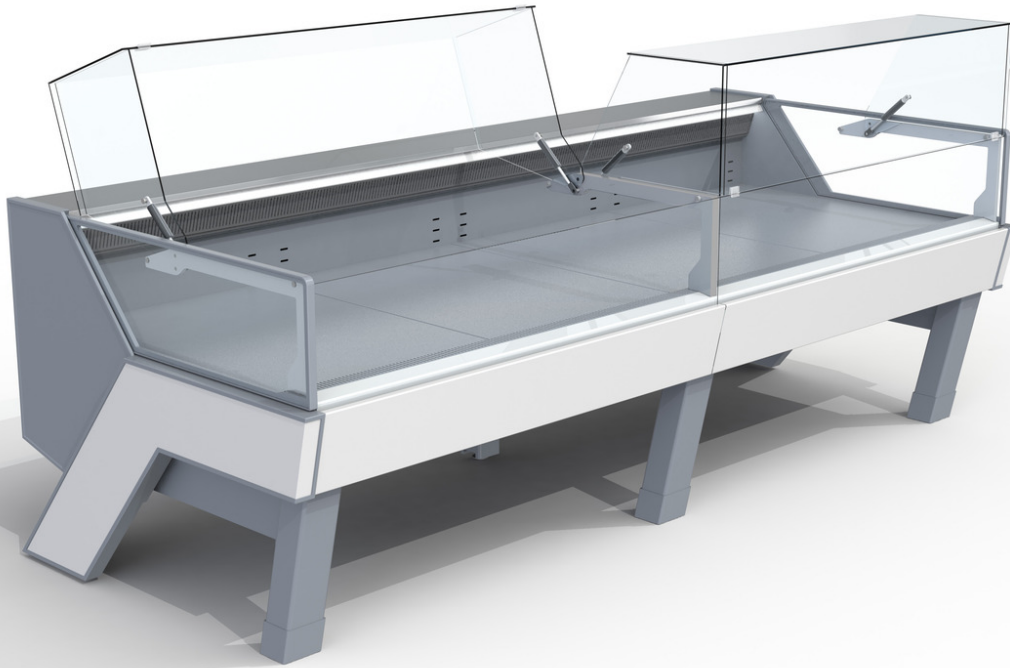


# Shape TRAD-LS



Epta S.p.A. participates in the ECC programme for Refrigerated display cabinets (RDC). Check ongoing validity of certificate online: [www.eurovent-certification.com](http://www.eurovent-certification.com) or using: [www.certiflash.com](http://www.certiflash.com)

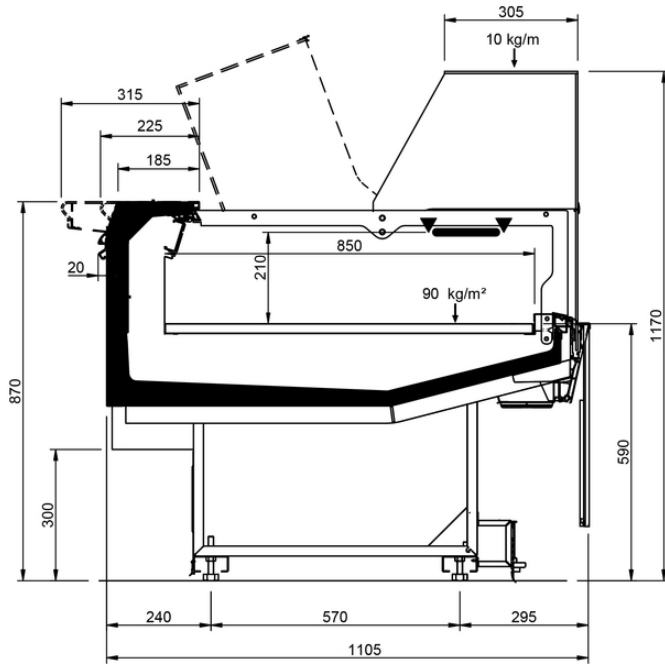


# Shape TRAD-LS

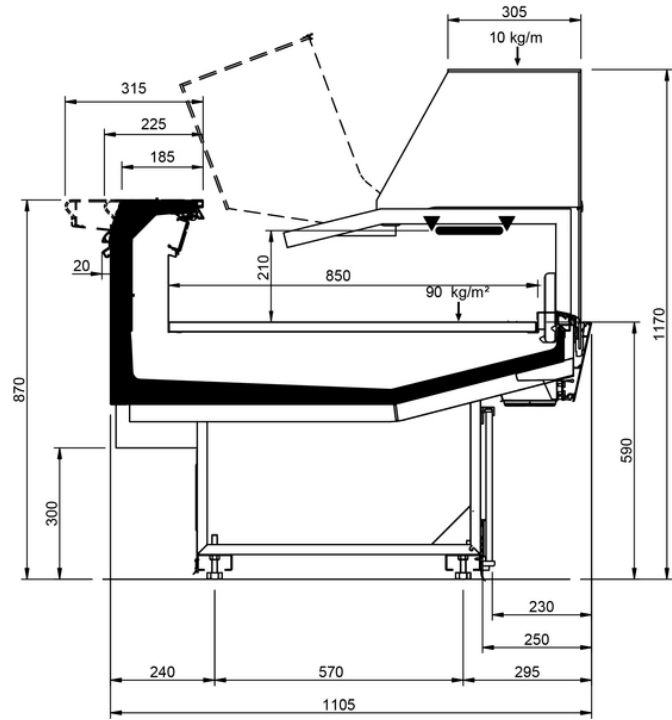
Shape TRAD-LS						
Length mm		937	1250	1875	2500	3750
Shape TRAD-LS	DESIGN	•	•	•	•	•
	STUDIO	•	•	•	•	•
	STYLE	•	•	•	•	•

# Shape TRAD-LS

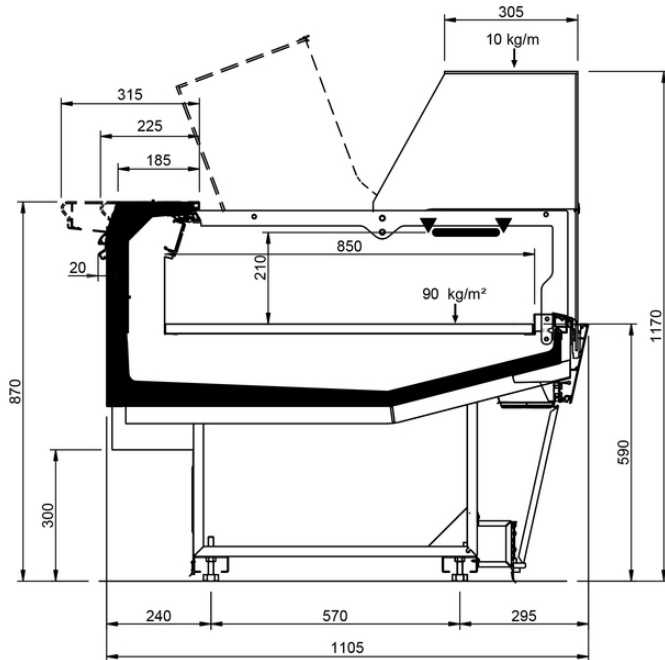
DESIGN



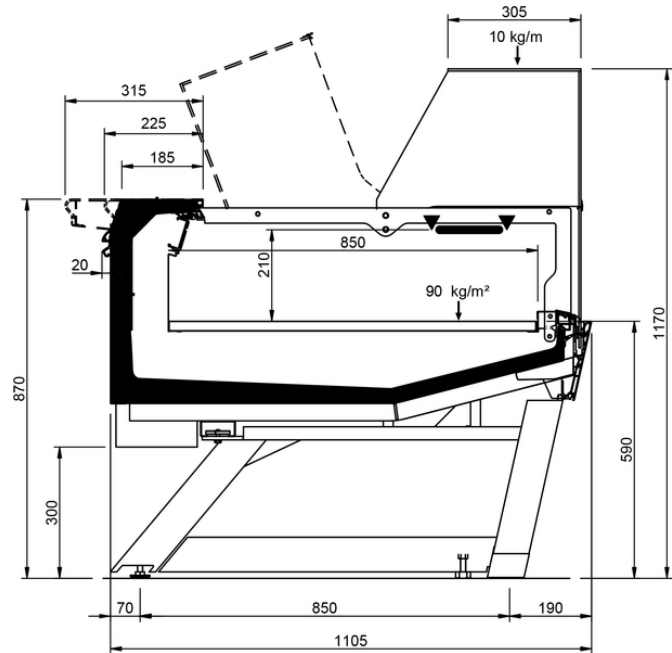
STUDIO



STYLE



STYLE FEET



## Legend

 Meat	 Chicken	 Fish	 Pre-packed fish
 Delicatessen	 Cheese	 Dairy products	 Gastronomy
 Pastries	 Pre-packed fish	 Fruits and Vegetables	 Sandwiches
 Drinks	 Pizza	 Bread	 Frozen food and ice cream
 Off-cycle defrost	 Electric defrost	 Hot-gas defrosting system	 Manual defrost
 Ventilated	 Static	 Incorporated condensing unit	 Remote condensing unit
 Bagnomaria	 Ceramic glass	 Ice	 VSD Inverter technology
 LED lighting	 Zero C doors	 High efficiency fans	 R290 Propane refrigerant gas (R290)
 R134a R-134a - 400V/3PH/50Hz	 R404A R404A - 400V/3PH/50Hz	 R744 R744 - 400V/PH/50Hz	 Semi-hermetic reciprocating compressor
 Hermetic scroll compressor	 Compressor hermetic reciprocating	 External installation	 Machinery room
 Soundproof housing	 On board condenser	 Remote condenser	 DUAL Medium & Low temperature