

Brisk 83 Trend

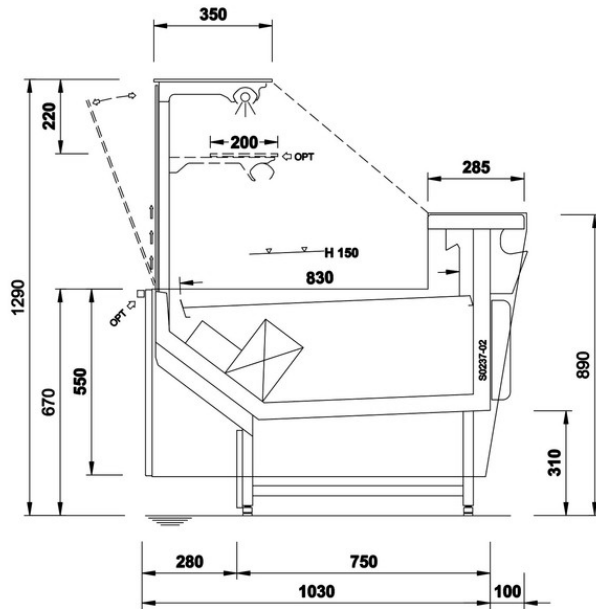


Brisk 83 Trend

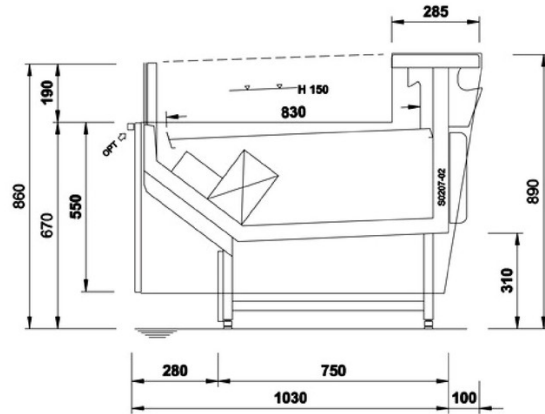
| Brisk 83 Trend | | | | | | | | | | | | | |
|-------------------|----|------|------|------|------|------|------|-------|------|--------------|--------------|--------------|--------------|
| Length mm | | 1250 | 1563 | 1875 | 2500 | 3125 | 3750 | AO 45 | AF45 | AO90+9 37 | 937+AO 90 | AF90+9 37 | 937+AF 90 |
| Brisk 83 Trend | DD | • | • | • | • | • | • | • | • | • | • | • | • |
| | LS | • | • | • | • | • | • | • | • | • | • | • | • |

Brisk 83 Trend

DD



LS



Legend

| | | | |
|---|---|--|--|
|  Meat |  Chicken |  Fish |  Pre-packed fish |
|  Delicatessen |  Cheese |  Dairy products |  Gastronomy |
|  Pastries |  Pre-packed fish |  Fruits and Vegetables |  Sandwiches |
|  Drinks |  Pizza |  Bread |  Frozen food and ice cream |
|  Off-cycle defrost |  Electric defrost |  Hot-gas defrosting system |  Manual defrost |
|  Ventilated |  Static |  Incorporated condensing unit |  Remote condensing unit |
|  Bagnomaria |  Ceramic glass |  Ice |  VSD Inverter technology |
|  LED lighting |  Zero C doors |  High efficiency fans |  R290 Propane refrigerant gas (R290) |
|  R-134a - 400V/3PH/50Hz |  R404A - 400V/3PH/50Hz |  R744 - 400V/PH/50Hz |  Semi-hermetic reciprocating compressor |
|  Hermetic scroll compressor |  Compressor hermetic reciprocating |  External installation |  Machinery room |
|  Soundproof housing |  On board condenser |  Remote condenser |  DUAL Medium & Low temperature |